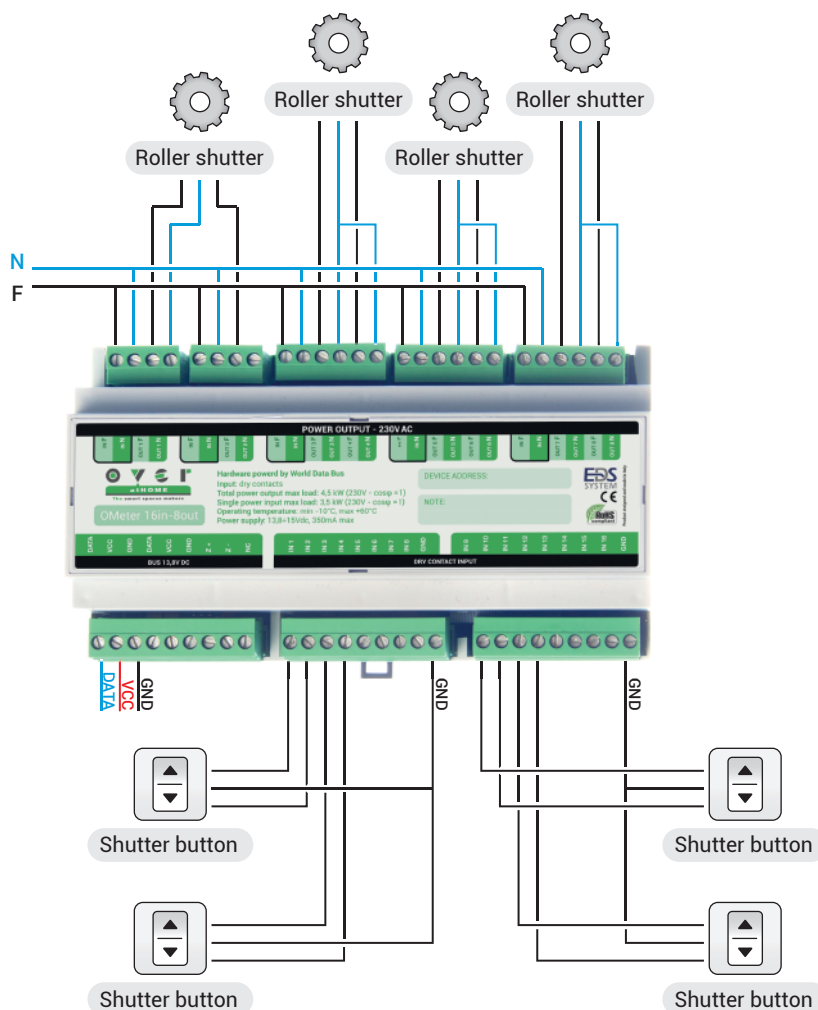




# Connect 4 roller shutters to a OMeter



Please note: in order to control a shutter the three wires that control the motor (a common wire and up and down wires) must be connected to the same OMeter. Adjacent power exits must be used, odd exits must be used for up wire, even exits for down wire.